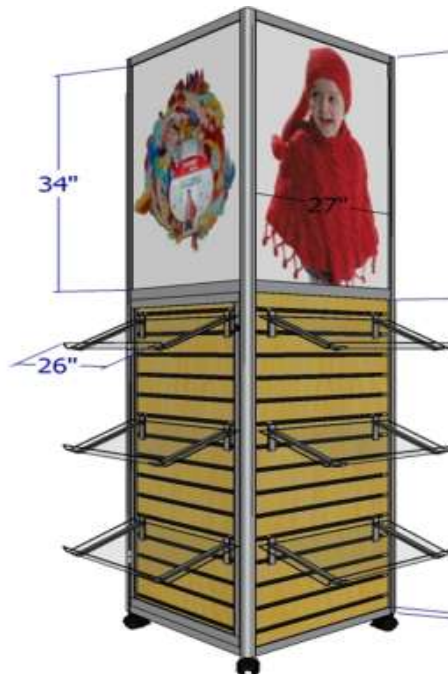
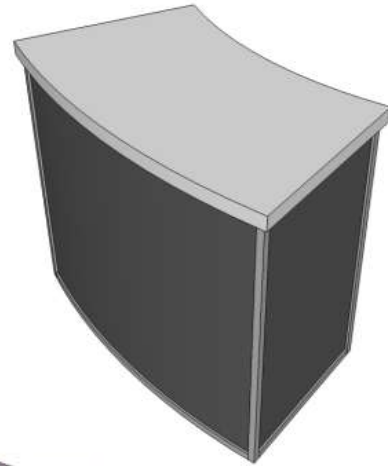
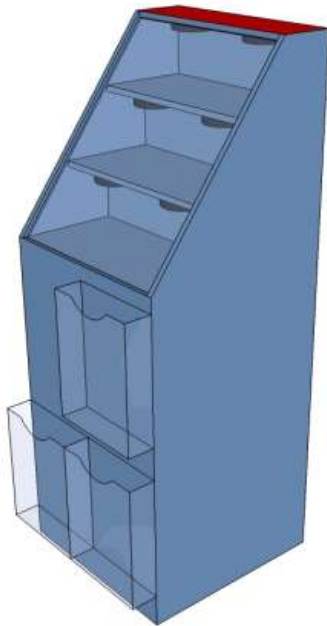




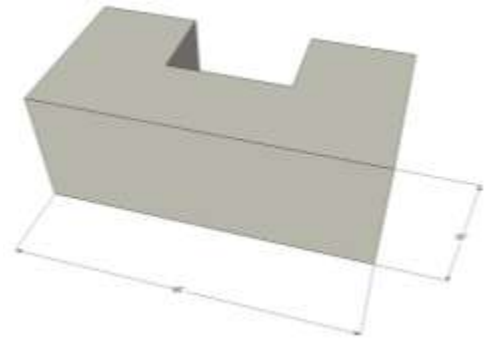
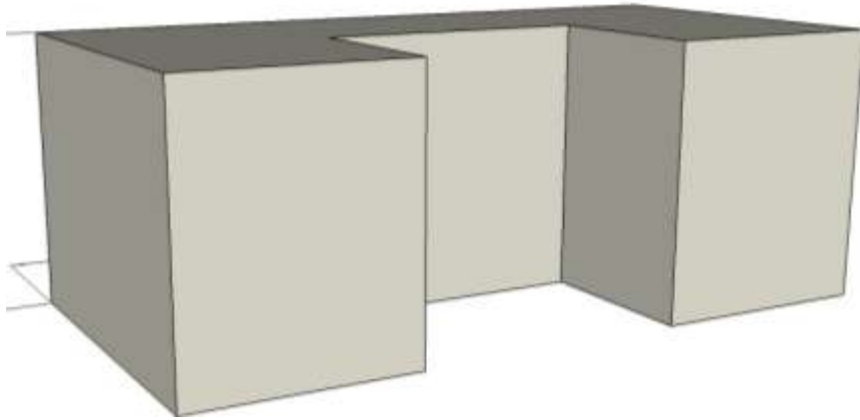
JC ROSE & ASSOCIATES, INC.  
EXHIBIT BUILDERS

TM

## Custom Components Catalogue



## Counters and Tables, Storage and Displays

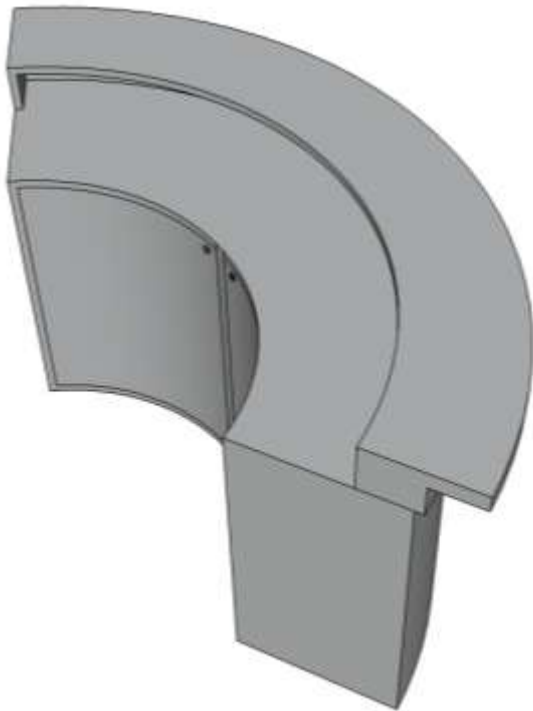


### C Counter

- All wood construction with choice of finishes:  
Sintra, laminated sintra, Velcro compatible fabric covered sintra
- Top overhangs 1/2-1" on all sides
- Locking storage in center section, shelves in side sections
- Price Range:* \$1,000-1,300

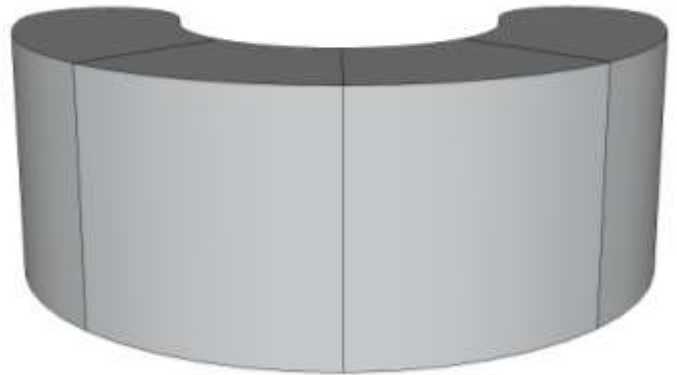
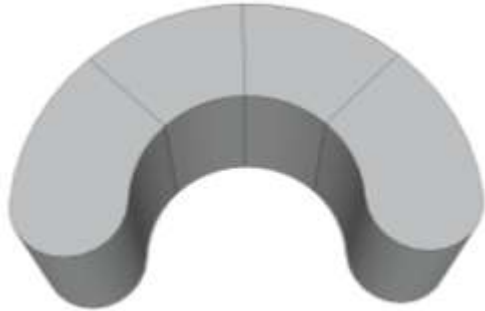
### Curved Counter 2

- Can be custom wood construction with choice of laminate finishes
- Can be Octanorm frame with insert panels (choice of finishes) OR laminated frame
- Top can be removable if Octanorm frame
- Counter top overhangs 6" in front
- Lockable doors or can be left open
- Dimensions: 6-7 ft. long,  
40" high back, 48" high front
- Price Range:* \$1,200-1,500



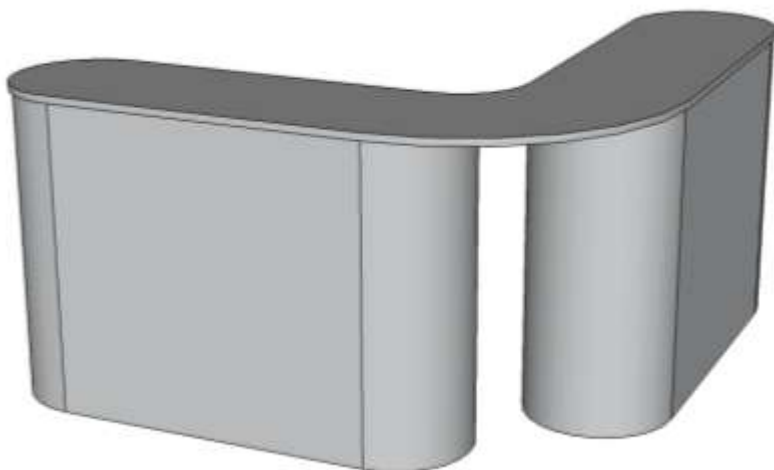
### Curved Counter 3

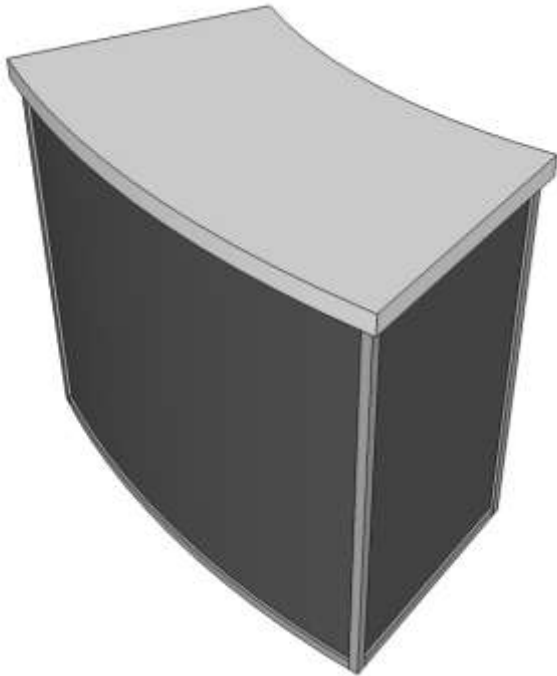
- Collapsible Ultraform counter (get details from original order/ultraform catalogue)
- Price Range:* \$1,100-1,200
- Reference: Sawgrass



### L Counter

- Fully collapsible (UltraForm has several fully-collapsible options)
- UltraForm Fabric covered
- Base with 2 piece laminate top
- 36-42 inches tall
- Price Range:* \$900-1,100
- Reference: Sawgrass





### Small Octanorm Counter

- Octanorm frame with insert panels, can have slight curve as shown or can be rectangular
- Choice of finishes OR overlaminated frame
- Counter top: laminate finish
- Top can be removable
- Sliding or locking doors on back, internal shelf
- Dimensions: 36 –42 foot height, varies
- Price Range:* \$650
- Reference: Arclin, Milliken

### Rectangular Counter with Curved Edges

- All wood construction with choice of laminate finishes
- OR Octanorm frame with insert panels (choice of finishes) or overlaminated removable top
- Sliding or locking doors, internal shelf
- Dimensions: 40-42” height, 48” length
- Price range:* \$700





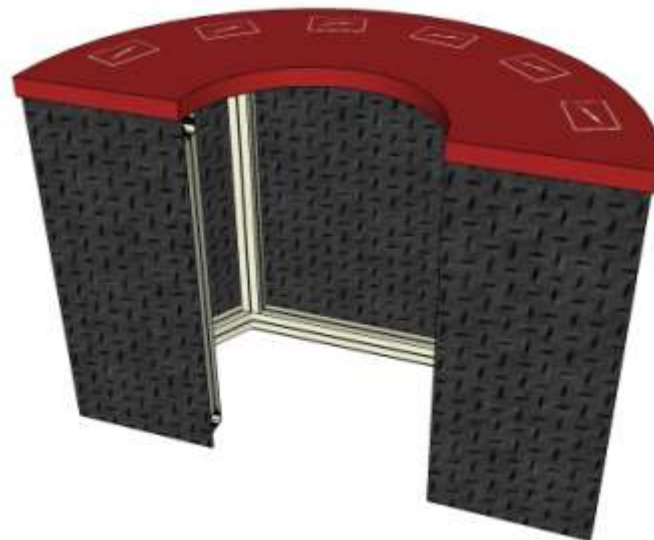
### Moss Counter

- Moss catalogue
- Counter top: wood construction, laminate finish
- Price range: \$1,000
- Reference: Sawgrass



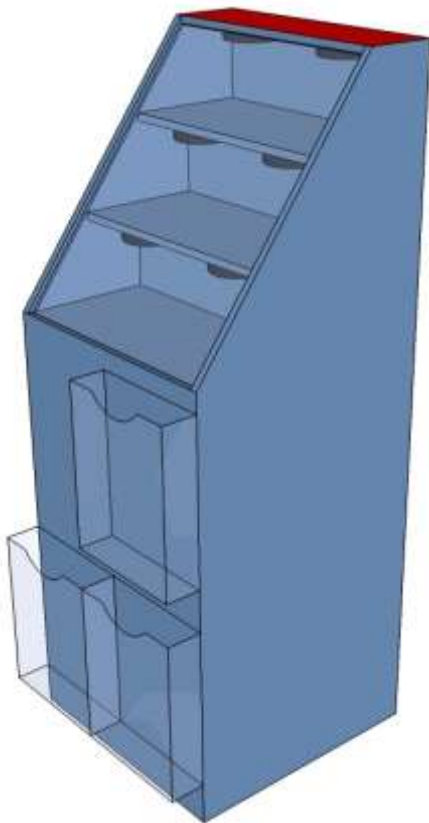
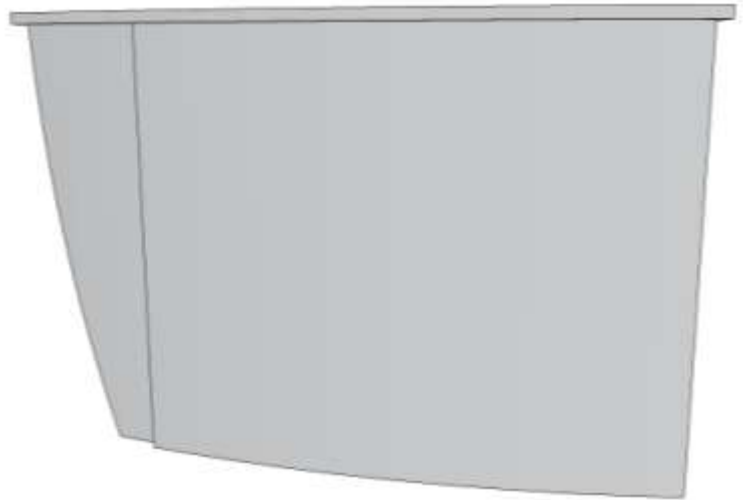
### Reception Counter (Poker Table example)

- Collapsible Octanorm construction with choice of overlaminated finishes
- Removable top, internal shelf
- Dimensions: 42" height, 60" length
- Price range: \$850
- Reference: Milwaukee



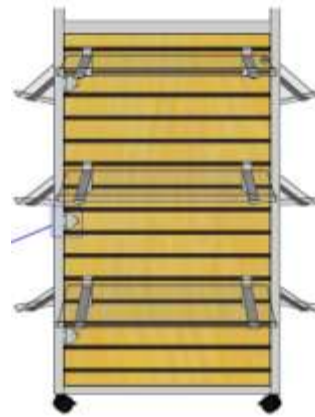
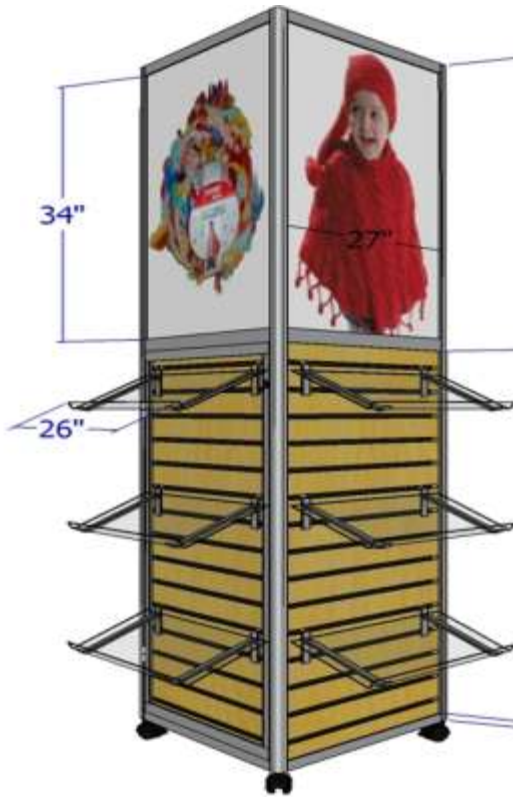
### Downing Counter with Wing

- Modular M-Wall system
- Choice of laminate finishes
- Lockable storage
- Price Range:* \$1,200-1,500
- Reference: US Renal Care



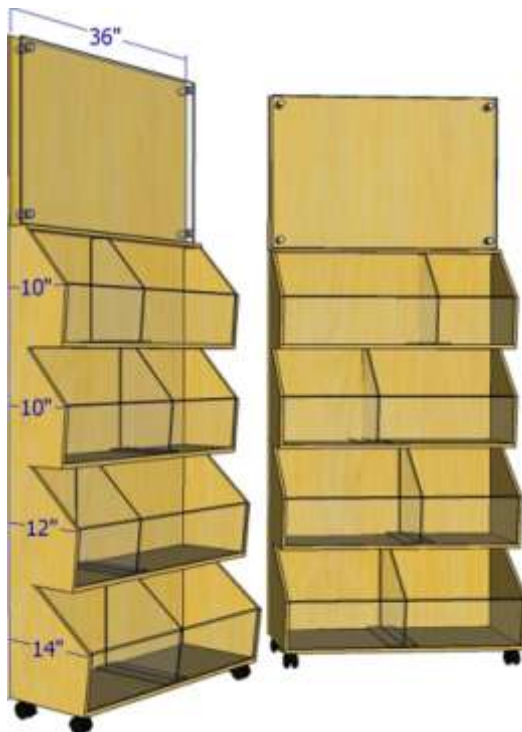
### Sloped Kiosk

- Wood construction with choice of laminate finish
- Shown with standard plexi-glass literature holders
- Price Range:* \$900
- Reference: RepExact



### Triangular Kiosk

- Wood construction with choice of laminate finish
- Graphic option for top
- Plexiglass exterior shelves
- Dimensions:
- Price range: \$1,200-1,300
- Reference: Premier Yarn

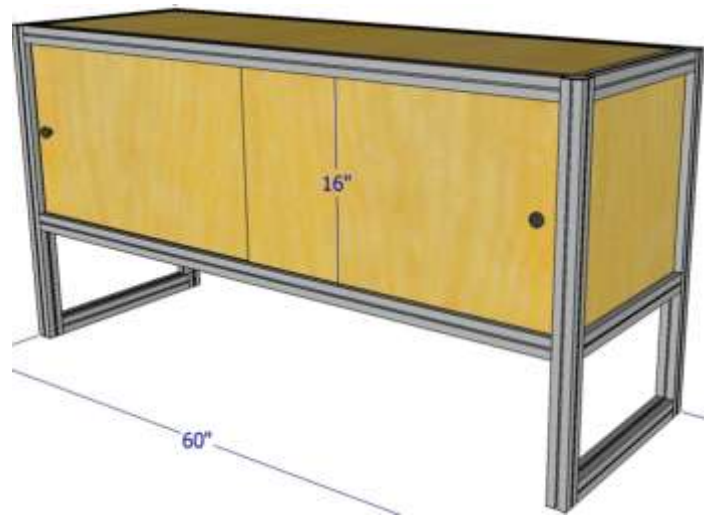


### Rolling Storage Bins

- Wood construction
- Shelving details:
- Price range: \$850-1,000
- Reference: Premier Yarn

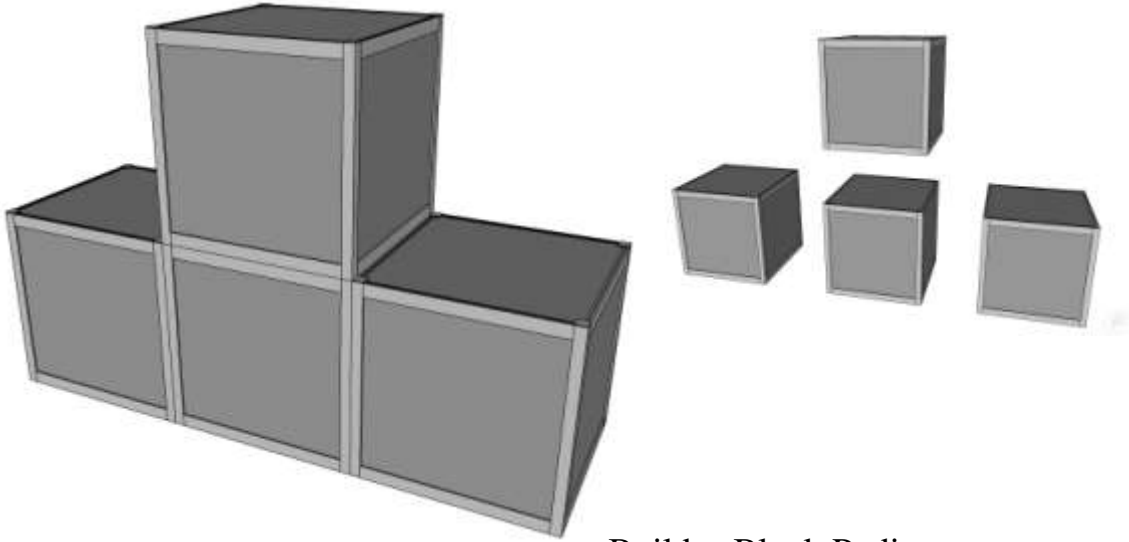
### Storage Counter with Sliding Doors

- Octanorm frame with insert panels
- Panels have choice of finishes: sintra, laminated sintra, velcro-compatible fabric covered sintra
- Sliding doors or locking doors
- Dimensions: 60" length
- Price range: \$750-850
- Reference: Premier Yarn



### Rolling Storage Counter

- Octanorm frame with insert panels
- Panels have choice of finishes: sintra, laminated sintra, velcro-compatible fabric covered sintra
- Sliding or locking door option in back
- Price Range: \$900-1,000
- Reference: Premier Yarn

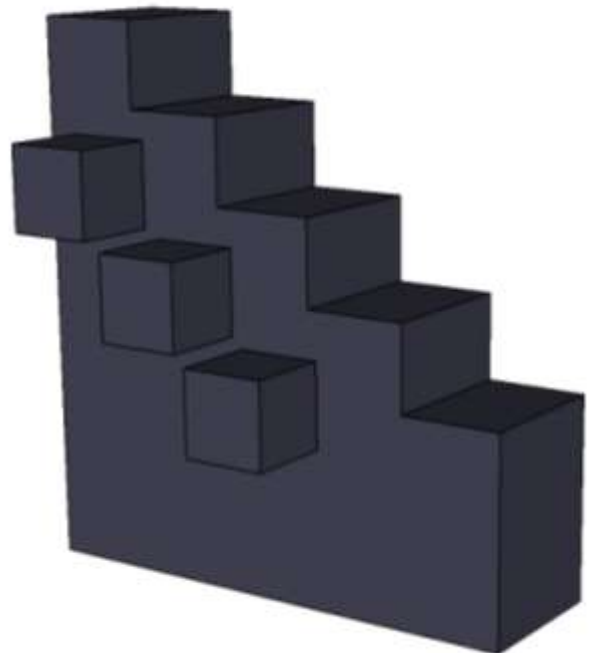


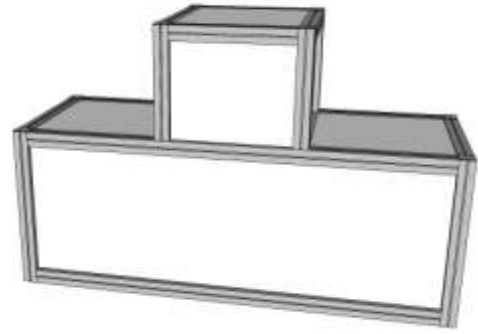
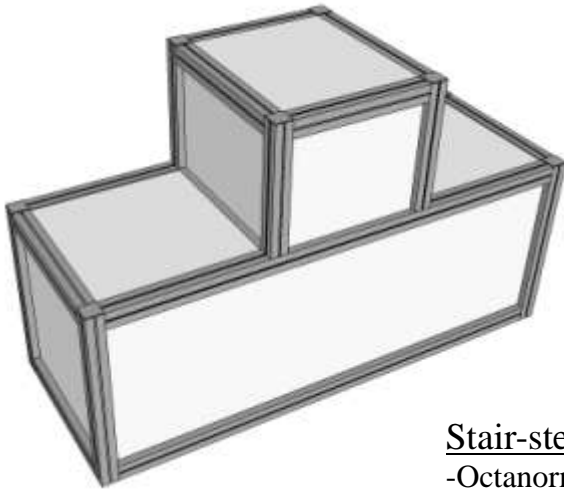
Build-a-Block Podiums

- Octanorm frame with insert panels
- Choice of panel finishes: sintra, laminated sintra, velcro-compatible fabric covered sintra
- Dimensions: 2 x 2 x 2
- Price range: \$250 each
- Reference: Cleva

Stair-step Podium with Side Cubes

- All wood construction with choice of laminate finishes
- Cubes are removable for shipping
- Locking door on back for storage
- Dimensions: cubes are 12"x12"x12"
- Price range: \$1,500
- Reference: SEW



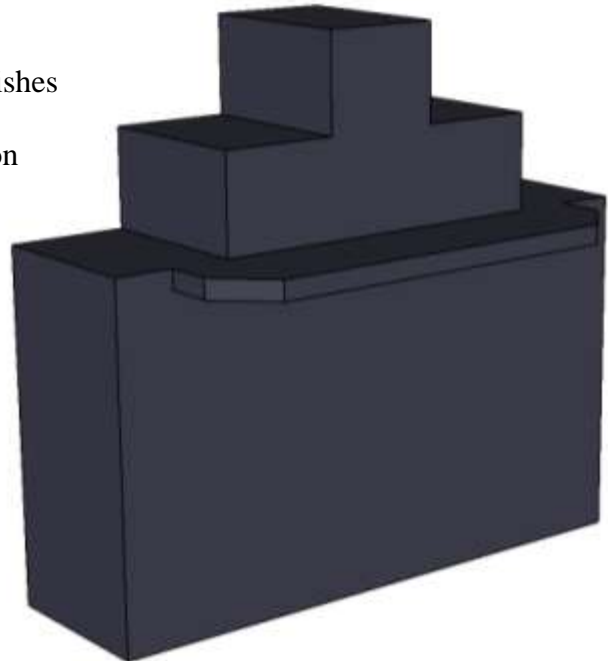


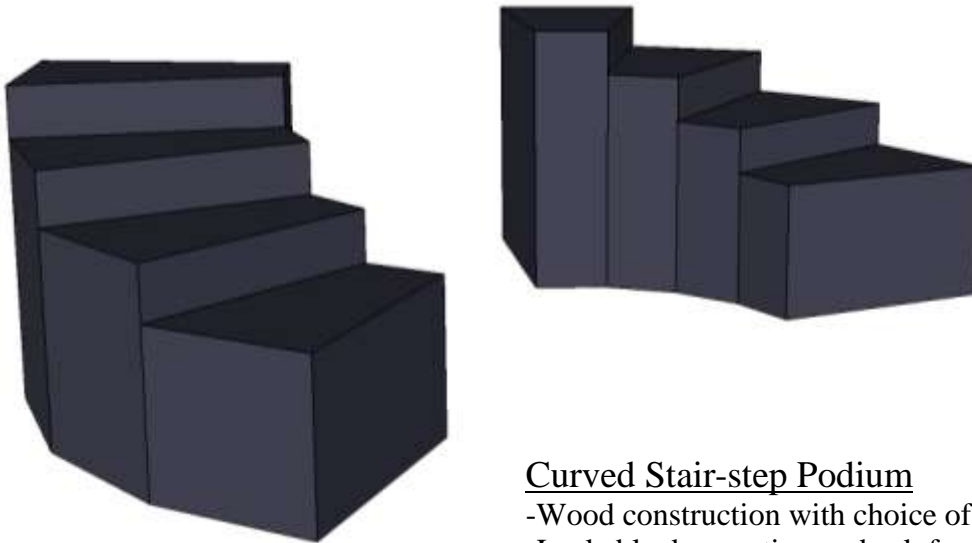
### Stair-step Podium

- Octanorm frame with inserted panels (choice of finishes)
- Dimensions: 48"x18"x36"high
- Price Range:* \$450
- Reference: Worlee

### Stair-step Podium/Cabinet

- Wood construction with choice of laminate finishes
- Lip overhangs 6" on front
- Locking doors on back with interior shelf option
- Dimensions: 60"long, 16"deep, 60"high
- Price Range:* \$1,200-1,400
- Reference: SEW





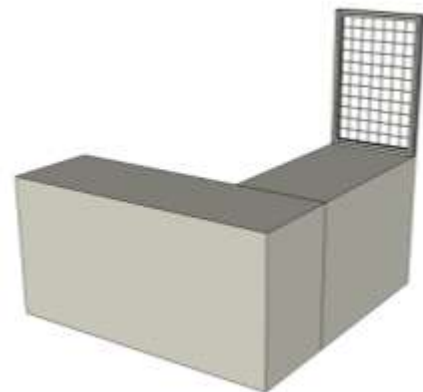
### Curved Stair-step Podium

- Wood construction with choice of laminate finishes
- Lockable door option on back for internal storage
- Price range:* \$1,500-1,800
- Reference: SEW



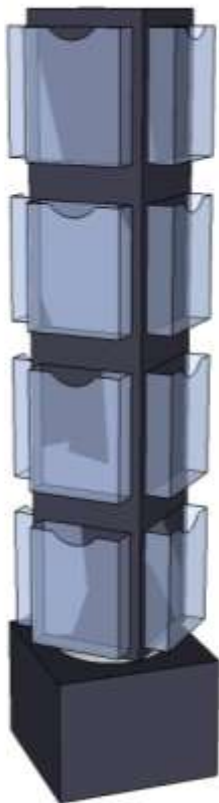
### L-Shaped Counter with Grid Wall

- Wood construction with choice of laminate finish
- Gridwall: 24"x36"
- Can be doors or left open
- Price range:* \$1,600
- Reference: Milwaukee



### Rotating Glass Case

- Wood construction base with choice of laminate finishes (electric turntable mounted inside)
- Octanorm case frame with clear acrylic insert panels
- Adjustable clear acrylic shelves inside
- Top has 4-5 halogen spot lights to light interior
- Price range:* \$1,600-1,800
- Reference: Sukano



### Rotating Literature Rack

- Wood construction with choice of laminate finishes
- Clear acrylic literature pockets (standard 8 1/2x 11" shown)
- Mounted on lazy susan to rotate
- Price range:* \$850



### Slat-wall with Lights

- Wood construction with choice of laminate finishes
- Free standing (bases detach for shipping and attach with cam locks)
- Single units can connect with others using cam locks (sides are covered with Velcro mounted cover strip when used as single piece)
- Wired through panel and out base for lights (standard long stem MR-16 or halogen fixtures)
- Price range:* \$1,200 (4'x8' section), \$3,500 (12' section)

